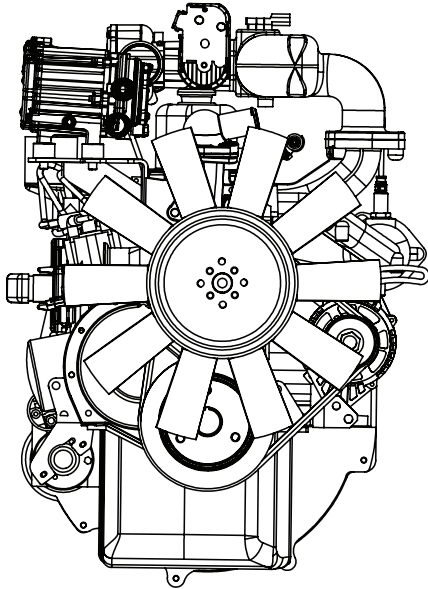


# PRODUCT SHEET:

## GENERAL MOTORS 3.0L ENGINE



### FEATURES

- ✓ Fuel-flexible: gasoline, LP, or NG
- ✓ High silicon content pistons for improved durability and noise reduction
- ✓ Sintered powdered-metal exhaust valve seat inserts for enhanced durability
- ✓ World-class engine sealing system for superior leak protection
- ✓ Integral harmonic balancer and crankshaft pulley for easier accessory drive dress
- ✓ High Energy Ignition (HEI) distributor and coil standard
- ✓ Intake and exhaust manifolds standard
- ✓ Common rear face to GM Powertrain industrial engines for easy hookup with housing

### GENERAL MOTORS 3.0L

30-35 kWe  
40-47 HP

Power and Performance  
Emission Certified  
Fuel Flexible

### ENGINE SPECIFICATIONS

|                   |  |
|-------------------|--|
| Displacement      | 181 cid (2966.59 cc)                   |
| Bore X Stroke     | 4.00 in X 3.60 in<br>101.6mm X 91.44mm |
| Compression Ratio | 8.2:1, 9.25:1, or 10.5:1               |
| Fuel Types        | NG, LP, Gasoline                       |
| KW/HP             | 35/47 @ 1,800 RPM<br>30/40 @ 1,500 RPM |

### OPTIONS

- ✓ Sequential Electronic Fuel Injection (SEFI) for gasoline
- ✓ Fuel and emission control system that meets Tier II EPA and CARB emission regulations for LSI engines
- ✓ SAE flywheel housings and flywheels
- ✓ Additional crankshaft pulleys
- ✓ Instrument panel with auto shutdown devices
- ✓ Sheet metal enclosures
- ✓ Cooling fans
- ✓ Radiator
- ✓ Electronic governors
- ✓ Dry-type industrial air cleaners (safety element air cleaners available)

# SAGE PARTS



Anticipating needs, meeting demands. Reducing costs.

The Trademarks shown on this product sheet may be registered trademarks of their respective companies.

Sage Parts  
30 Hub Drive, Melville, NY 11747  
+1.877.SAGE.877 | +1.631.501.1300 Tel  
+1.631.501.1619 Fax  
info@sageparts.com

[www.sageparts.com](http://www.sageparts.com)